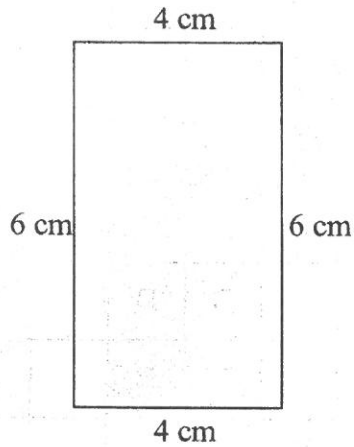
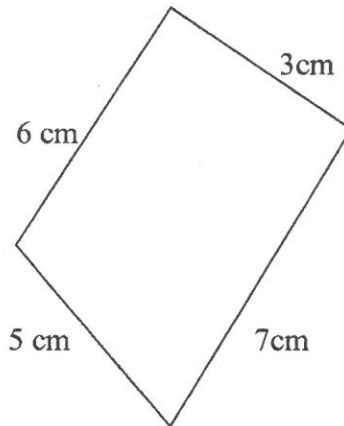


INDIAN SCHOOL MUSCAT PRIMARY SECTION			
SUBJECT: MATHEMATICS		NAME:	
ENRICHMENT ACTIVITY 1	TERM II	STD IV :	ROLL NO. : DATE:
MARKS: /5		TEACHER'S SIGNATURE:	

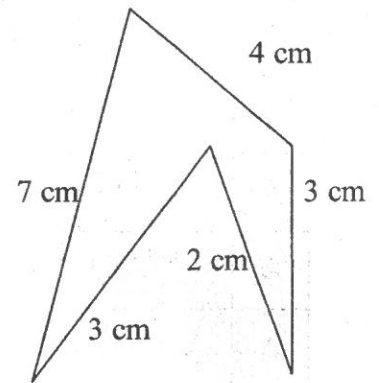
1. Find the perimeter of the given figures.



Perimeter = _____ cm



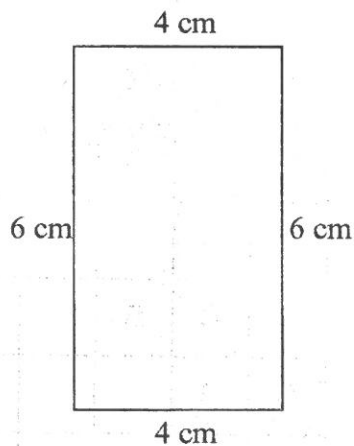
Perimeter = _____ cm



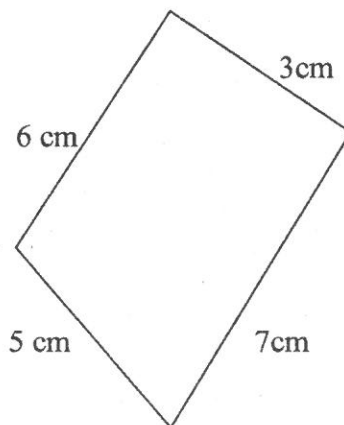
Perimeter = _____ cm

INDIAN SCHOOL MUSCAT PRIMARY SECTION			
SUBJECT: MATHEMATICS		NAME:	
ENRICHMENT ACTIVITY 1	TERM II	STD IV :	ROLL NO. : DATE:
MARKS: /5		TEACHER'S SIGNATURE:	

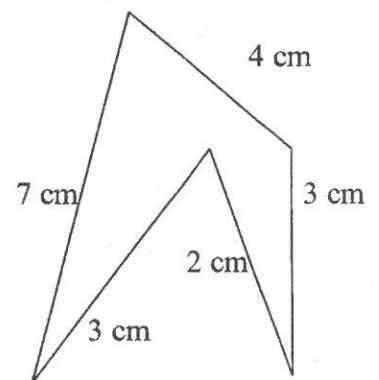
1. Find the perimeter of the given figures.



Perimeter = _____ cm



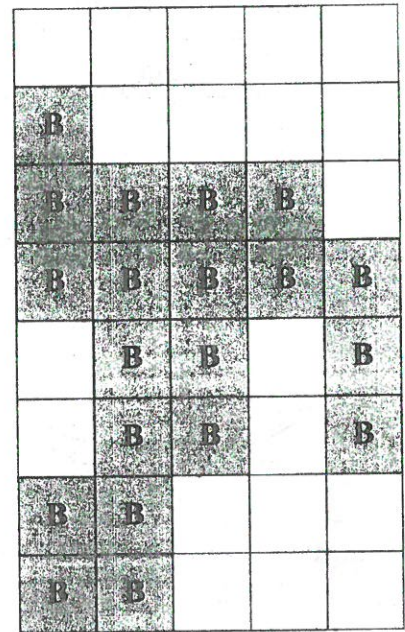
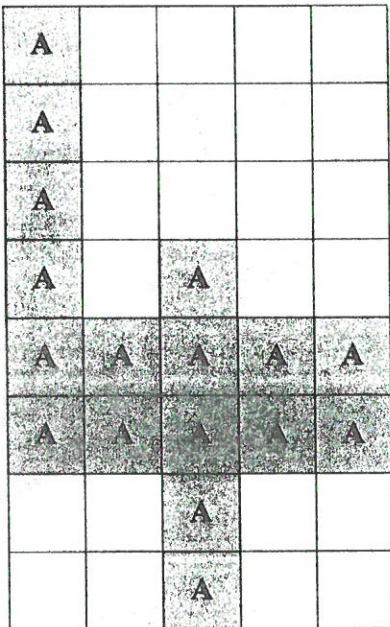
Perimeter = _____ cm



Perimeter = _____ cm

II. Find the area of the following figures.

1 square cm is the area of each box.

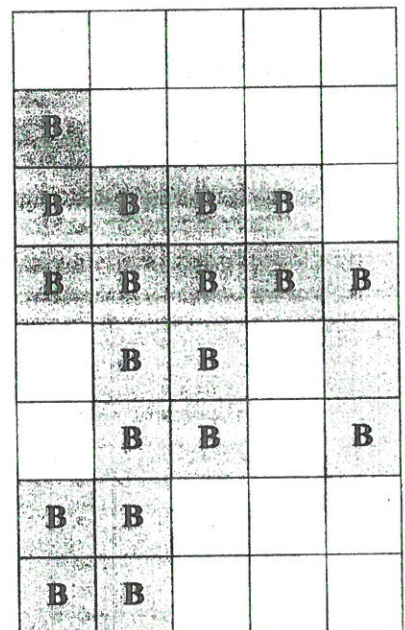
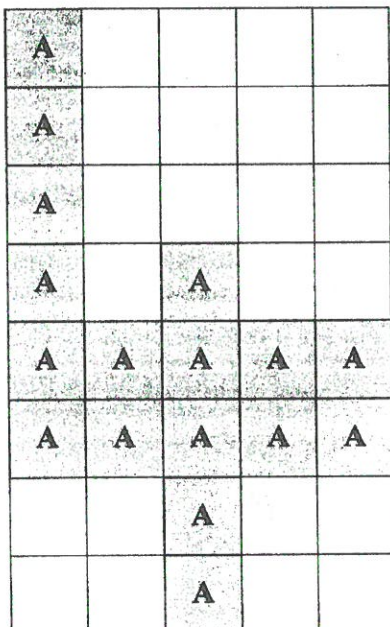


a. Area of the shaded-A figure = _____

b. Area of the shaded-B figure = _____

II. Find the area of the following figures.

1 square cm is the area of each box.



a. Area of the shaded-A figure = _____

b. Area of the shaded-B figure = _____